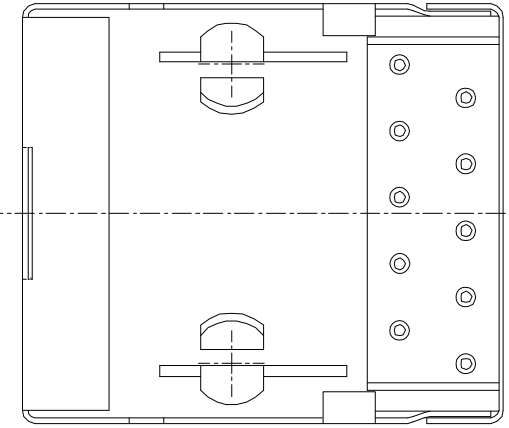


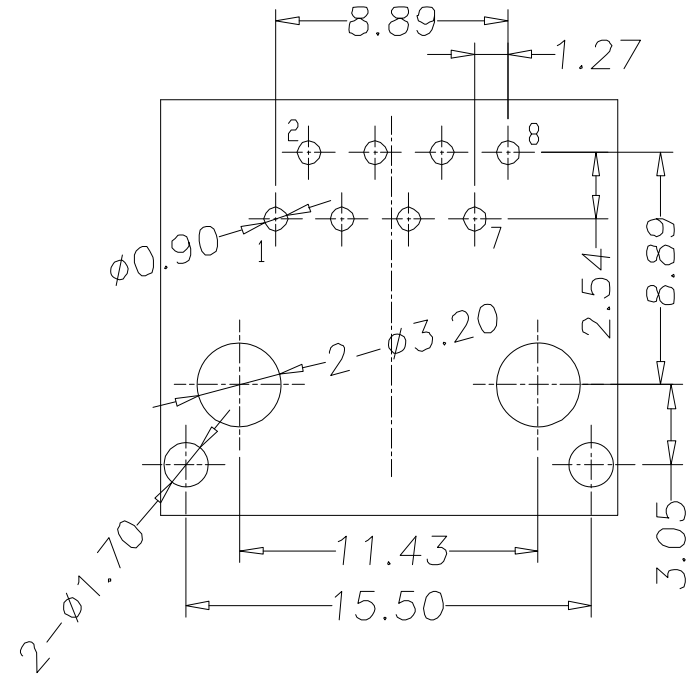
- NOTES:**
ELECTRICAL:
 1. VOLTAGE RATING : 125VAC RMS
 2. CURRENT RATING : 1.5 AMP
 3. CONTACT RESISTANCE : 50 mΩ Max
 4. INSULATION RESISTANCE : 500 MΩ Min @500 VDC
 5. DIELECTRIC STRENGTH : 1000 VAC RMS 50HZ. 1Min.
MATERIAL:
 1. HOUSING MATERIAL : GLASS FILLED POLYESTER(UL94V-0)
 2. CONTACT MATERIAL : PHOSPHOR BRONZE ø0.46
 3. FINISH : GOLD PLATED OVER Ni
 4. SHIELD : COPPER ALLOY 0.2t Ni PLATED
 5. DURABILITY : 750 CYCLES Min.
 6. PCB RETENTION PRE-SOLDER : 1 LB Min.
ENVIRONMENTAL:
 1. STORAGE TEMPERATURE : -40°C TO +85°C
 2. OPERATION TEMPERATURE : 0°C TO +70°C

RoHS
Compliant



ORDER INFORMATION

A	M	J	01	18	3	XX	Z	0	A	4	-129
Layer A: Single B: Dual	M: Bottom /Reverse W: Top /Positive	J: Jack S: Short O: Open F: Fis N: Normal H: Height M: Multiple	Port No.	44: 4P4C 62: 6P2C 64: 6P4C 66: 6P6C 88: 8P8C 18: 10P8C 28: 12P8C 10: 10P10C	1: SMT RA 2: SMT VT 3: DIP RA 4: DIP VT 5: DIP 45° 6: DIP Upright	G1: Gold Flash G2: 5u" G3: 10u" G4: 15u" G5: 30u" G6: 50u" G7: 3u" G8: 6u"	P: Plastic E: Metal w/1 EMI D: Metal w/2 EMI Z: Metal w/o EMI	Filter 0: w/o Filter 1: w/Gigabyte 2: w/100/10	LED light A: w/o Led B: 2 x Green C: 2 x Yellow	Height: 5: 13.3	



Recommended PCB Layout

REV.	REVISION RECORD	DATE	General Tolerances		
A	Original	06/11/14'	LINEAR 0.0 ±0.35 0.00±0.20	ANGLES ±3°	
B	Revised	05/21/15'	UNIT: mm		
C	Revised	04/22/16'	A4	NAME DATE	TITLE: Modular Jack 10P8C DIP RA 13.3H DWG.NO.: AMJ01183XXZ0A4-129 REV. E
D	Revised	11/07/16'	APPROVED	WENDY	
E	Revised	03/28/18'	DESIGNER	WHITE	
			DRAWN	ANGEL	SCALE 1 : 1 SHEET 1 OF 1